

## ITL 2-1 - industrial air cooled triode with output power 5 kW

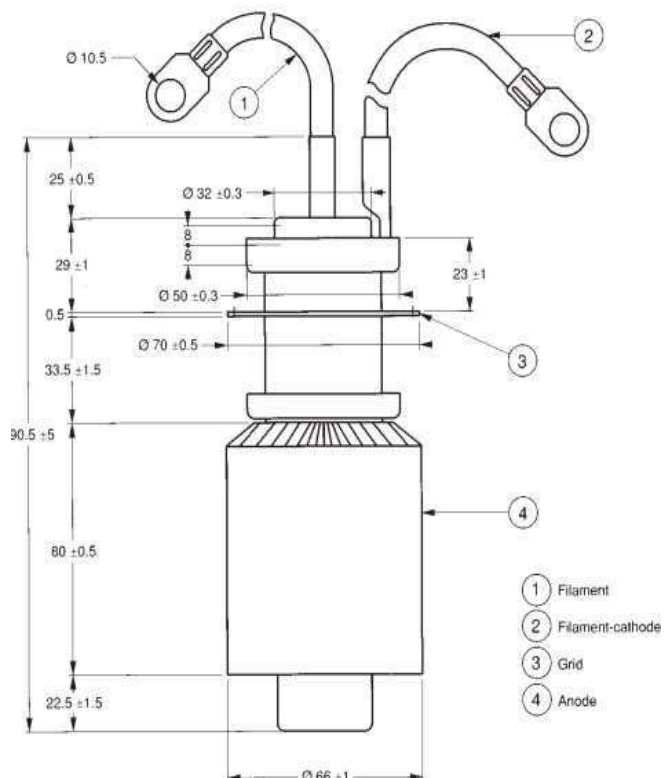
### Electrical characteristics:

Filament Voltage	6.3	V
Filament Current	35	A
Amplification Factor	21	
Interelectrode capacitances		
Cga	14	pF
Cgc	17	pF
Cca	0.5	pF

### Typical operation:

	1		2	
Frequency	30	MHz	30	MHz
DC Plate Voltage	6	kV	5	kV
DC Grid Voltage	790	V	760	V
DC Plate Current	1.1	A	1.1	A
DC Grid Current	0.24	A	0.27	A
Grid Dissipation	65	W	77	W
Plate Input Power	6.6	kW	5.5	kW
Plate Output Power	5.0	kW	4.1	kW
Plate Dissipation	1.5	kW	1.2	kW
Grid Resistance	1.9	kΩ	1.5	kΩ

Maximum Weight	1.1	kg
Maximum Length	190.5	mm
Maximum Diameter	66	mm
Operating position	vertical	
Temperature at any point on tube envelope	max 220	°C
Anode cooling	forced air	



### Maximum ratings:

DC Plate Voltage	7.2	kV
DC Plate Current	1.2	A
Grid Dissipation	0.13	kW
Plate Dissipation	1.5	kW
Plate Output Power	5.0	kW