

CTK15-2 - industrial water-cooled triode with output power 45 kW

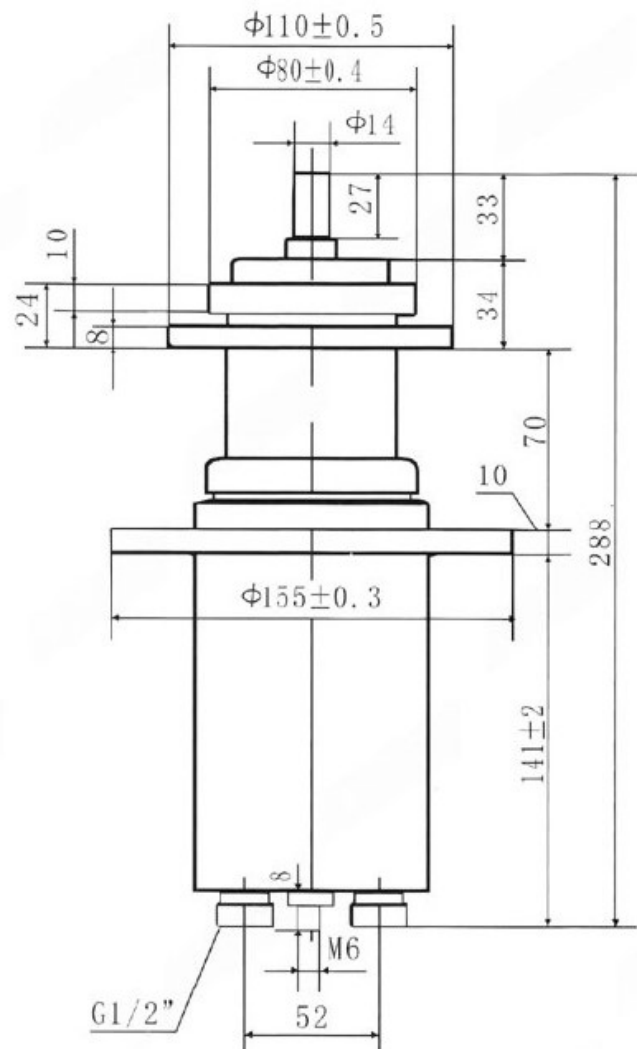
Electrical characteristics:

Filament Voltage	7.2	V
Filament Current	180	A
Amplification Factor	200	
Interelectrode capacitances		
C _{ga}	27	pF
C _{gc}	67	pF

Typical operation:

Frequency	30	MHz
DC Plate Voltage	11	kV
DC Plate Current	5.4	A
DC Grid Current	1.9	A
Plate Output Power	45	kW

Maximum Weight	4	kg
Maximum Length	290	mm
Maximum Diameter	155	mm
Operating position	vertical	
Temperature at any point on tube envelope	max 220	°C
Anode cooling	water	
Min. water pressure at inlet	5	bar
Max. water T° at outlet	60	°C



Maximum ratings:

DC Plate Voltage	13	kV
Frequency	120	MHz
Grid Dissipation	0.8	kW
Plate Dissipation	20	kW
Plate Output Power	45	kW